

OpenAir™

## Accessories and Spare Parts for Air Damper Actuators

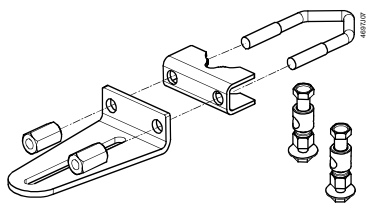
## ASC... ASK...

Overview, functions and applications for GMA and GEB

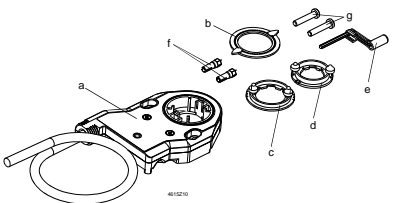
This overview provides a list of the accessories to functionally enhance the GMA and GEB air damper actuators as well as a list of the spare parts for the actuators.

Application examples and important dimensions are contained in the respective mounting installations (see document no.).

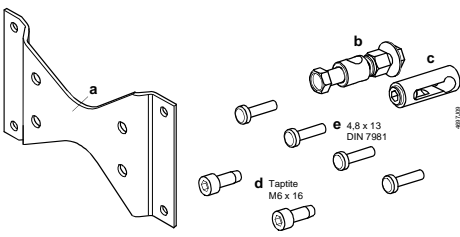
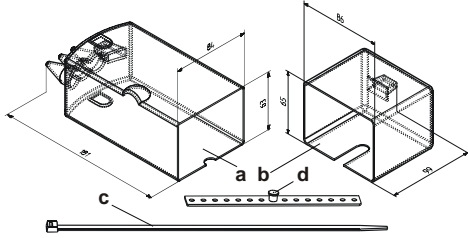
### Accessories for rotary actuators

Type Document no. (Classific. no.)	Designation / Delivery	Application	
		Actuator	Function
<b>ASK71.9</b>  7431902360 (M4614.1)	Universal lever  	GMA...1 GEB...1	<ul style="list-style-type: none"> <li>To convert linear movement to rotary movement, for mounting on an adjacent actuator shaft</li> <li>Can be used in connection with ASK71.11, ASK71.13 and ASK71.14</li> <li>Ball joints for push rod of 8 mm diameter</li> </ul>

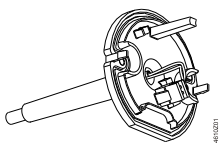
Type Document no. (Classific. no.)	Designation / Delivery	Application	
		Actuator	Function
<b>ASK71.11</b>  7431902370 (M4614.2)	Rotary/linear set for duct and frame mounting  	GMA...1 GEB...1	<ul style="list-style-type: none"> <li>To convert rotary movement to linear movement for duct or frame mounting</li> <li>Ball joints for push rod of 8 mm diameter</li> </ul>
<b>ASK71.13</b>  7431902380 (M4614.3)	Rotary/linear set with lever  		<ul style="list-style-type: none"> <li>To convert rotary movement to linear movement. Suited for               <ul style="list-style-type: none"> <li>Direct duct or wall mounting of the actuator via rear mounting</li> <li>Damper mounting for actuator with additional rotary/linear function</li> </ul> </li> <li>Ball joints for push rod of 8 mm diameter</li> </ul>
<b>ASK71.14</b>  7431902390 (M4614.4)	Rotary/linear set with lever and mounting plate  		<ul style="list-style-type: none"> <li>To convert rotary movement to linear movement</li> <li>Mounting the actuator on the mounting plate allows for actuator-side duct or frame mounting</li> <li>Ball joints for push rod of 8 mm diameter</li> </ul>
<b>ASK73.3</b> (While stocks last)  743190241 0  (M4614.6)	Bracket for Powerpack  	GMA12..1 GMA32..1 GMA13..1 GEB13..1 GEB33..1	<ul style="list-style-type: none"> <li>Locking element for two rotary actuators on the same shaft (tandem-mounted).</li> </ul>
<b>ASK74.7</b>    	Shaft extension  	GMA...1 GEB...1	<ul style="list-style-type: none"> <li>For extending the drive shaft by up to approx. 240 mm.</li> <li>For drive shafts of 8...25.6 mm dia. or 6...18 mm square</li> <li>Minimum shaft length 40 mm</li> <li>Can not be used in connection with ASK73.3</li> </ul>
<b>ASK75.3</b>  7431902400 (M4614.5)	Weather shield for rotary actuator  		<ul style="list-style-type: none"> <li>Provides additional protection of the rotary actuator against dust and splashwater in the case of outdoor application.</li> <li>UV-resistant</li> </ul>
<b>ASK75.6</b>  7431906630 (M4614.8)	Weather shield for rotary actuator  		<ul style="list-style-type: none"> <li>Provides additional protection to rotary actuator and when mounting in any given position</li> </ul>

<b>ASC77.1E</b> <b>ASC77.2E</b>  7431904130 (M4615)	External auxiliary switches 	GMA...1 GEB...1	<ul style="list-style-type: none"> <li>• ASC77.1E (1 switch)</li> <li>• ASC77.2E (2 switches)</li> </ul>
---	--	--------------------	--

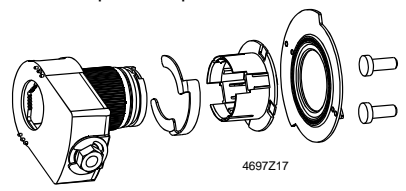
### Accessories for linear actuators

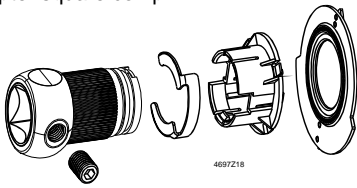
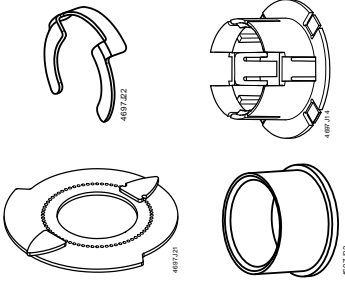
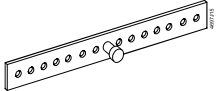
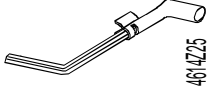
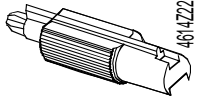

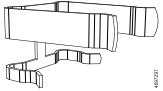
Type Document no. (Classific. no.)	Designation / Delivery	Application	
		Actuator	Function
<b>ASK72.3</b>  7431902420 (M4653.1)	Linear/rotary set with mounting plate 	GEB...2	<ul style="list-style-type: none"> <li>• To convert linear movement into rotary movement</li> <li>• Mounting the actuator on the mounting plate allows for actuator-side frame or duct mounting</li> <li>• Linear limitation by adjusting the clamp on the push rod</li> <li>• Ball joints for push rod of 8 mm diameter</li> </ul>
<b>ASK75.6</b>  7431906630 (M4614.8)	Weather shield for linear actuator 		<ul style="list-style-type: none"> <li>• Provides additional protection to linear actuator and when mounting in any given position</li> </ul>

### Actuators for fire and smoke protection dampers

Type Document no. (Classific. no.)	Designation / Delivery	Application	
		Actuator	Function
<b>ASK79.4</b> <b>ASK79.5</b>  7431908350 (M4610)	Duct tip for temperature monitoring unit 	GNA..	<ul style="list-style-type: none"> <li>• ASK79.4 ( 72 °C )</li> <li>• ASK79.5 ( 95 °C )</li> </ul>

### Spare parts for rotary actuators

Spare part no.	Designation / Delivery	Application	
		Actuator	Function
<b>ASK74.12</b> (S55859-Z103)	Standard shaft adapter compl. 	GMA...1 GEB...1	This shaft adapter is <ul style="list-style-type: none"> <li>• self-centering</li> <li>• suitable for shafts of 6.4...20.5 mm diameter</li> </ul>

Spare part no.	Designation / Delivery	Application	
		Actuator	Function
<b>ASK74.13</b> (S55859-Z104)	Shaft adapter square compl. 	GMA...1 GEB...1	15 mm
<b>ASK74.14</b> (S55859-Z105)			12 mm
<b>ASK74.15</b> (S55859-Z106)			10 mm
<b>ASK74.16</b> (S55859-Z107)			8 mm
<b>ASK71.01</b> (S55859-Z101)	Accessory kit 		<p>Consisting of:</p> <ul style="list-style-type: none"> <li>• Axial bracket Fixes axle adapter in the actuator.</li> <li>• Plastic adapter with position indicator Required on short damper shafts (&lt; 20 mm). It is inserted into the shaft adapter and carries the position indicator.</li> <li>• Position indicator It is clamped on the shaft adapter or the plastic adapter and indicates the air damper rotational angle of the air damper.</li> <li>• Plug indicator Fixes the position indicator onto the plastic adapter.</li> </ul>
<b>ASK71.07</b> (S55859-Z118)	Mounting bracket compl. (set of 10) 		The mounting bracket is used to prevent the actuator from twisting and is secured with 2 steel screws (4.8 x 13 mm, DIN 7981).
7410900170	Turnkey for manual adjustment 	GMA...1	Manual adjustment of the shaft adapter.
7410900130	Adjustment tool 	GMA...4.1 GMA...6.1 GEB...4.1 GEB...6.1 GEB...4.2 GEB...6.2	Adjustment tool for auxiliary switches, potentiometer and locking shaft.
418023780	Screw taptite M6 x 16 mm 	GMA...1 GEB...1	Self-tapping screw to fasten the actuator on the mounting, duct or wall plate.
7421700030	Fork clamp 		The fork clamp is used to prevent the actuator from twisting.

Issued by  
Siemens Switzerland Ltd  
Building Technologies Division  
International Headquarters  
Theilerstrasse 1a  
6300 Zug  
Switzerland  
Tel. +41 58-724 24 24  
[www.siemens.com/buildingtechnologies](http://www.siemens.com/buildingtechnologies)

© Siemens Switzerland Ltd, 2015  
Technical specifications and availability subject to change without notice.