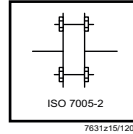


VGD40.../VRD40... North America



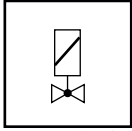
Installation only by qualified person

Max. operating pressure: 10 PSI

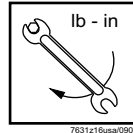


Max. torque / flange connection

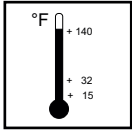
Tighten plugs and screws properly. Make sure of proper material combinations, aluminium-steel!



Agency approvals:
CSA
UL
FM

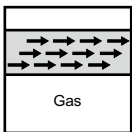


Max. torque / system accessories



Ambient temperature

+ 15° F ... + 140° F
(- 10° C ... + 60° C)



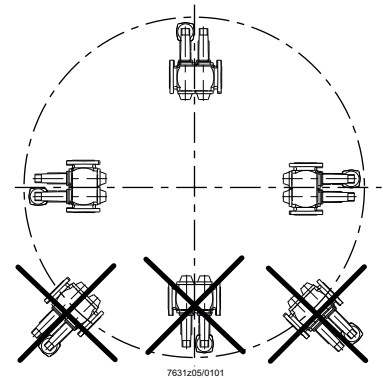
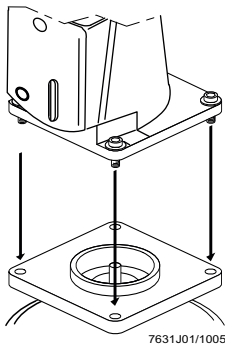
< 140° F

Natural gas (VGD/VRD40...)
Propane gas (VGD/VRD40...)
Bio gas (VRD40...)

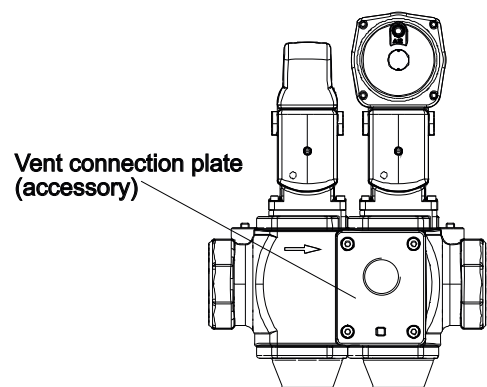
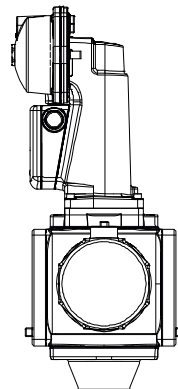
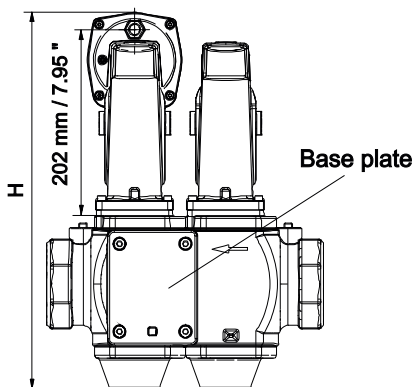
Screw sets

2 1/2" ... 4"	5/8" x 2 1/2"	440 lb-in
6"	3/4" x 3 1/4"	800 lb-in

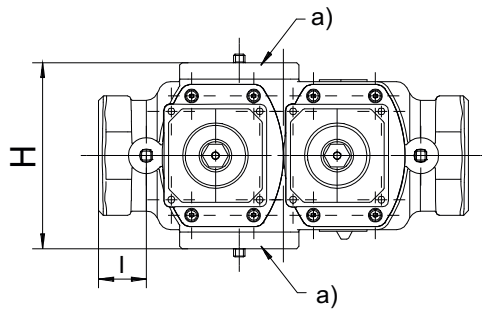
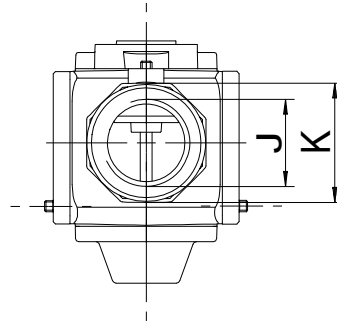
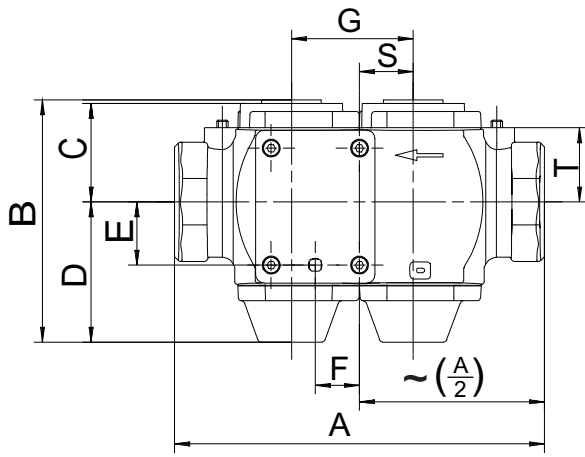
Mounting



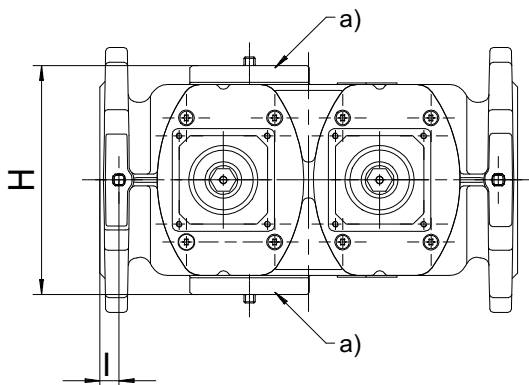
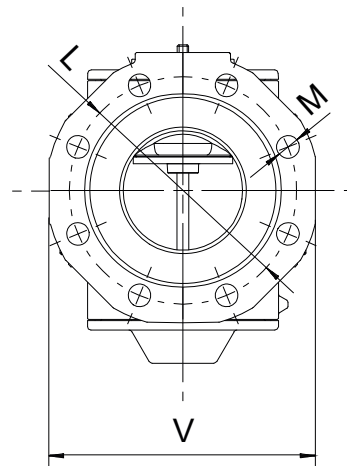
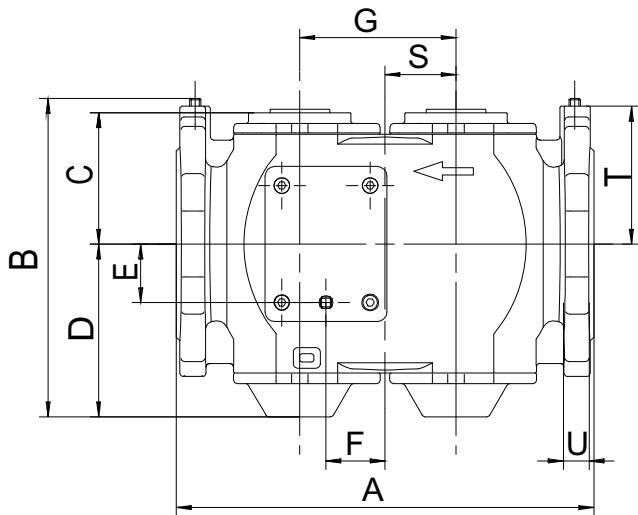
Mounting possibilities VGD40.../VRD40.../SKP...



Typ	H =	SKP15... mm / inch	SKP25... mm / inch	SKP55... mm / inch	SKP75... mm / inch
VGD/VRD40.065..		388 / 15.28	421 / 16.57	433 / 17.05	469 / 18.46
VGD/VRD40.080..		412 / 16.22	445 / 17.52	457 / 17.99	493 / 19.41
VGD/VRD40.100..		443 / 17.44	476 / 18.74	488 / 19.21	524 / 20.63
VGD/VRD40.150..		521 / 20.51	554 / 21.81	566 / 22.28	602 / 23.70
VRD40.040..		382 / 15.04	415 / 16.34	427 / 16.81	463 / 18.23
VRD40.050..		382 / 15.04	415 / 16.34	427 / 16.81	463 / 18.23



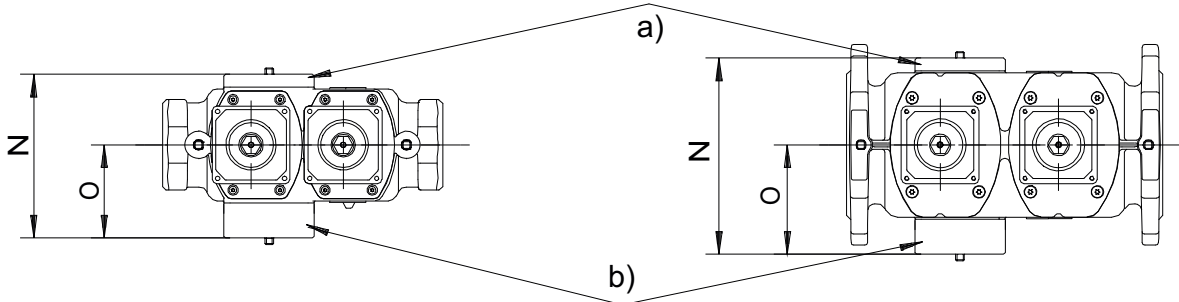
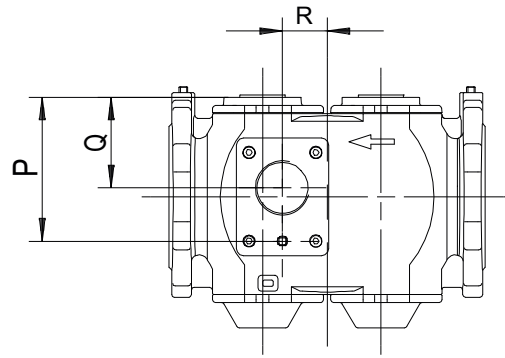
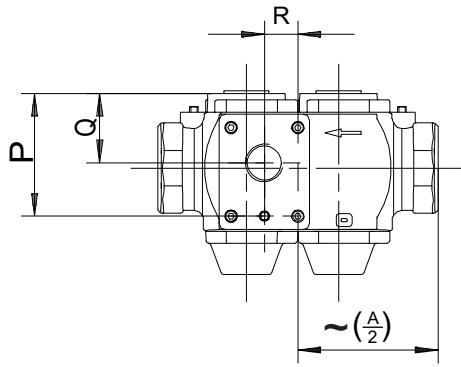
a) Base plate



mm inch	A	B	C	D	E	F	G	H	I
VGD40.065U	310 12.20	203 9.00	82.5 3.25	117.5 4.63	53.09 2.09	37 1.46	102 4.02	156 6.14	40 1.57
VGD40.080U	330 12.99	227 8.94	92.5 3.64	131.5 5.18	47 1.85	20 0.79	107 4.21	160 6.30	47 1.85
VGD40.100U	350 13.78	266.8 10.50	110 4.33	144.8 5.70	49 1.93	49.5 1.95	131 5.16	192 7.56	16 0.63
VGD40.150U	480 18.90	338 13.31	145 5.71	188 7.40	53 2.09	58 2.28	168 6.61	262 10.31	16 0.63
VRD40.040U	260 10.24	197 7.76	79 3.11	115 4.53	50 1.97	14 0.55	88 3.46	136 5.35	30 1.18
VRD40.050U	260 10.24	197 7.76	79 3.11	115 4.53	50 1.97	14 0.55	88 3.46	136 5.35	30 1.18
VRD40.065UF	290 11.42	217 8.54	82.5 3.25	117.5 4.63	53.1 2.09	37 1.46	102 4.02	156 6.14	16 0.63
VRD40.080UF	310 12.20	238.5 9.39	92.5 3.64	131.5 5.18	47 2.09	20 0.79	107 4.21	160 6.30	16 0.63
VRD40.100UF	350 13.78	267.3 10.52	110 4.33	144.8 5.70	49 1.93	49.5 1.95	131 5.16	192 7.56	16 0.63
VRD40.150UF	480 18.90	337.5 13.29	145 5.71	188 7.40	53 2.09	58.5 2.30	168 6.61	262 10.31	16 0.63

mm inch	J	K	L	M	S	T	U	V
VGD40.065U	2 1/2"...8 NPT	SW* 100 SW* 4.0	---	---	45 1.77	62 2.44	---	---
VGD40.080U	3"...8 NPT	SW* 120 SW* 4.75	---	---	47.5 1.87	72 2.83	---	---
VGD40.100U	---	---	d = 190.5 d = 7.5	d = 19 d = 0.75	59.5 2.34	115.5 4.55	22 0.87	222 8.74
VGD40.150U	---	---	d = 241 d = 9.5	d = 23 d = 0.91	78 3.07	142.5 5.61	23 0.91	270 10.63
VRD40.040U	1 1/2"...11.5 NPT	SW* 70 SW* 2.76	---	---	21 0.83	71 2.8	---	---
VRD40.050U	2"...11.5 NPT	SW* 80 SW* 3.15	---	---	21 0.81	71 2.8	---	---
VRD40.065UF	---	---	d = 139.7 d = 5.5	d = 19 d = 0.75	45 1.77	92.5 3.64	20.4 0.80	178 7.01
VRD40.080UF	---	---	d = 152.4 d = 6.0	d = 19 d = 0.75	30.5 1.2	100 3.94	22.4 0.88	192 7.56
VRD40.100UF	---	---	d = 190.5 d = 7.5	d = 19 d = 0.75	72 2.83	115.5 4.55	22 0.87	222 8.74
VRD40.150UF	---	---	d = 241 d = 9.5	d = 23 d = 0.91	99.5 3.92	142.5 5.61	22.9 0.90	270 10.63

* SW = width across flats



mm inch	N	O	P	Q	R
VGD40.065U	181 7.13	103 4.06	135.6 5.34	76.59 3.02	37 1.46
VGD40.080U	185 7.28	105 4.13	139.5 5.49	80.5 3.17	20 0.79
VGD40.100U *	217 8.54	121 4.76	159 6.26	100 3.94	49.5 1.95
VGD40.150U *	287 11.30	156 6.14	198 7.80	139 5.47	58 2.28
VRD40.040U	160 6.30	92 3.62	129 5.08	70 2.76	14 0.55
VRD40.050U	160 6.30	92 3.62	129 5.08	70 2.76	14 0.55
VRD40.065UF *	180 7.09	103 4.06	136.6 5.38	77.6 3.06	37 1.46
VRD40.080UF *	186 7.32	105 4.13	139.5 5.49	80.5 3.17	20 0.79
VRD40.100UF *	218 8.58	121 4.76	159 6.26	100 3.94	49.5 1.95
VRD40.150UF *	288 11.34	156 6.14	198 7.80	139 5.47	58.5 2.30

Option: a) Base plate
 b) Vent connection plate AGA40.xxxU (optional)
 a) and b) are interchangeable

Vent connection plate must be ordered separately!



Note *
CAUTION!
 Use non-metallic flange gaskets only.
 Also refer to ANSI / ASME B16.24!

Vent connection plate (optional)						
	VRD40.040U	VRD40.050U	VGD/VRD40.065U	VGD/VRD40.080U	VGD/VRD40.100U	VGD/VRD40.150U
			x	x		
AGA40.6580U			x	x		
AGA40.0100U					x	
AGA40.0150U						x
AGA40.4050U	x	x				
						Vent connection thread „Z“
						1¼"…11.5NPT
						2"…11.5 NPT
						2½"…8 NPT
						1"…11.5 NPT

